

# Manual Supplement

**Manual Title:** ii900/ii910 Users Manual  
**Print Date:** April 2019  
**Revision/Date:** Rev. 1, 9/20

**Supplement Issue:** 2  
**Issue Date:** 1/23  
**Page Count:** 3

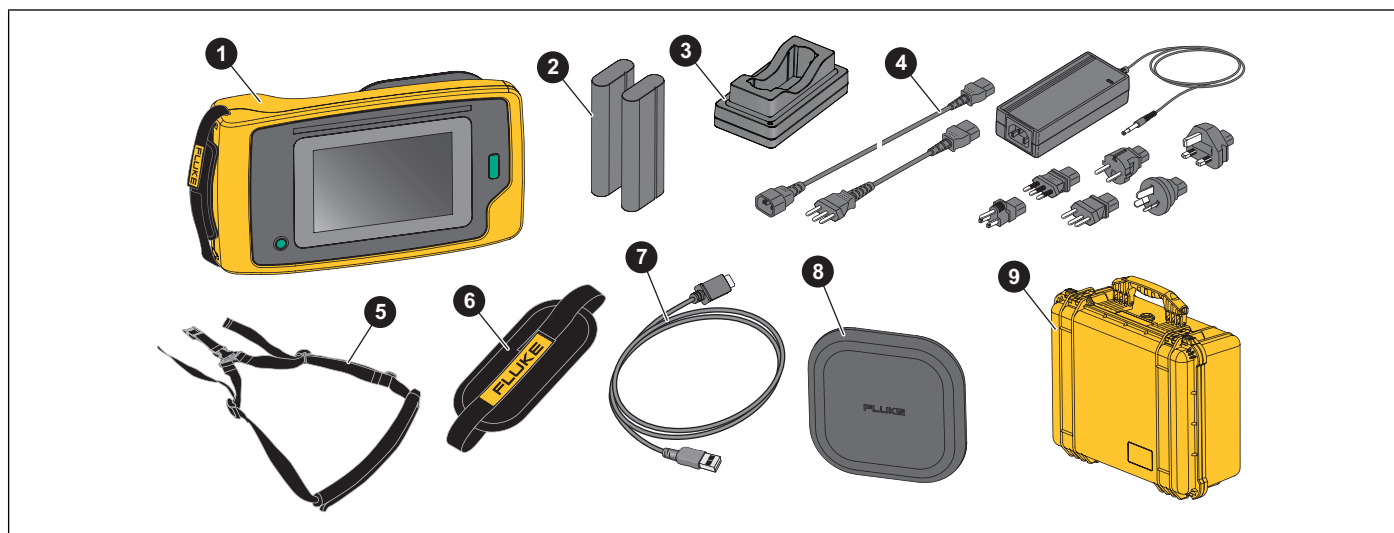
---

This supplement contains information necessary to ensure the accuracy of the above document.

## Change #1, 300

On page 2, replace Table 1 with the following:

**Table 1. Standard Equipment**

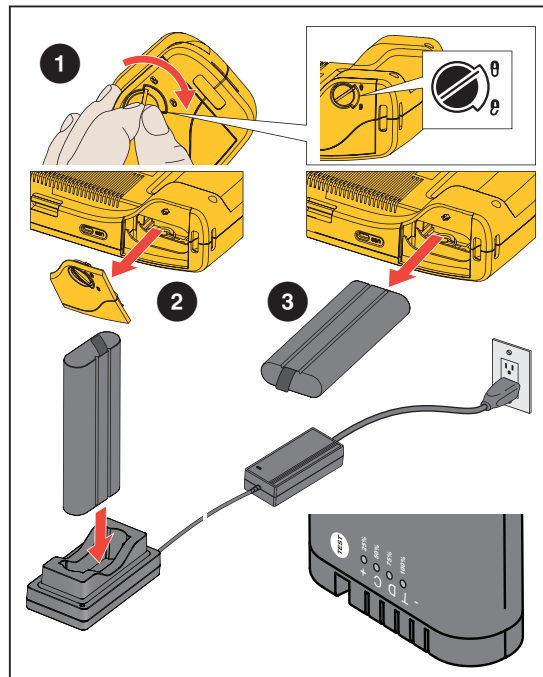


Item	Model Number	Description	Part Number
1	ii900 or ii910	Acoustic Imager	NA
2	BP291	Rechargeable Lithium-ion Battery Pack (x2)	3894688
3/4	ESBC290-1	External Battery Charger/Power Supply with Country-Specific Adapters	5385738
5	TiX5XX-NECK	Neck Strap	4574715
6	ii900 Hand Strap	Hand Strap	5075994
7	USB-C Cable 3.0	USB-C Cable, 1 m (3.3 ft)	5079197
8	Array Cover	Acoustic Sensor Cover	5075982
9	CXT1000	Protective/Carry Case	4628917

## Change #2, 300



On page 5, replace Figure 1 with the following:

**Figure 1. Battery**




## Change #3, 300

On page 12, under *Tag Note*, replace the instructions with:

1. Tap on the image thumbnail to open the file on the display.
2. Tap  to open the Tag Note Menu.
3. Tap on one or multiple tags you want to add.  
Tags are useful to identify categories such as general, leak, and electrical.
4. Tap  to use the camera to capture and read QR code for Asset ID recognition.

Asset inspection status helps you to select and assign the status of inspection: As Left, As Found, or Undetermined.

5. Tap  to close the Tag Note menu.

## Change #4, 300

On page 14, after *Factory settings*, add:

### *Operating Conditions*

- Set LeakQ™ operating conditions
- Set PDQ Mode™ network operating frequency (ii910 only)
- Select preferred visual LeakQ quantification metrics